

Nelson Fire Brick

Technical Data

➤ Product Description

Nelson Fire Brick is a soft, pliable, intumescent material that is ideal for applications where the Firestop application may be required to be re-penetrated. Upon the event of a fire, the brick material expands within the opening, forming a solid char that prevents through penetration of the fire.

➤ Application

Nelson Fire Brick is an economical, durable, labor saving firestop material for cable or cable tray penetrations. Nelson Fire Brick should be installed into a clean opening free of grease, dirt or loose particles. For general application guidelines, tightly pack bricks into and around the penetrating item(s) within the annular space filling all voids. Install brick centered within opening. Brick may be cut as necessary to provide a tight fit between opening and penetrating item. Actual installation should be in accordance with the appropriate Nelson application system drawing or applicable system in the UL Fire Resistance Directory.

➤ Availability

AA0834 – 2" x 5" x 8" Brick, 1.48lb. (670 grams)
Packaged 6 / Carton

➤ Approvals

Underwriters Laboratories Inc., Fill, Void or Cavity Material (XHHW) and (XHHW7)

➤ Features

- Up to 2-Hour Ratings
- Easily Installed
- Non-Shrinking
- Non-Toxic
- Easily Re-penetrable
- Excellent Shelf Life

➤ Physical Properties

- Color.....Charcoal Gray
- Weight.....1.48 lbs.
- Dimensions..... 2" x 5" x 8"
- Intumescent activation temp. >300°F
- Intumescent expansion > 600%
- Asbestos FillerNone

➤ Test Compliance

- ASTM E-814 and UL1479, Test method for through stop fire penetrations.

➤ Testing Data

For specific test criteria, refer to the UL Fire Resistance Directory.

➤ Storage & Handling

Nelson Fire Brick should be stored in dry, covered locations. There is no indication of shelf life limitations.

➤ Related References

Underwriters Laboratories Inc. "Fire Resistance Directory". Application details are available in AutoCAD® format on request.



Nelson Fire Brick

➤ INSTALLATION INSTRUCTIONS

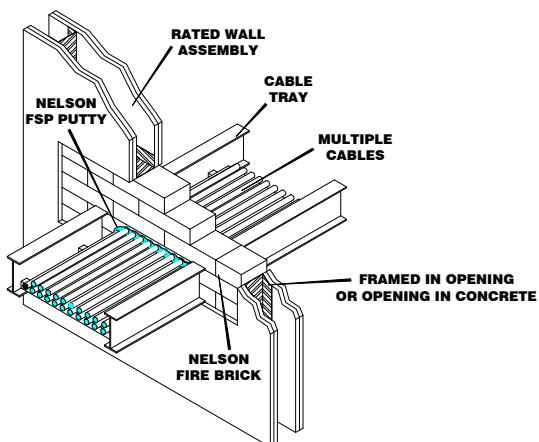
GENERAL: Areas to be protected must be clean and free of oil, loose dirt or rust.

APPLICATION SYSTEM SELECTION: Selection of an appropriate firestop application system design is critical to the fire protection process. Please consult the Nelson Firestop directory and application guide as well as the UL® Fire Resistance Directory for additional information.

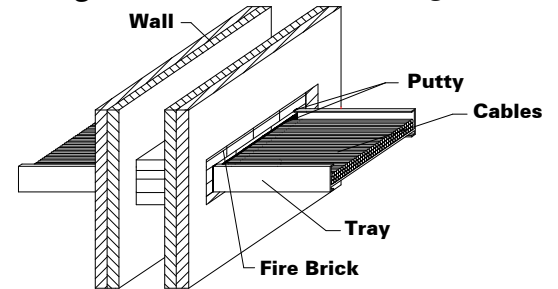
FILL MATERIAL: Prior to installation of the Fire Bricks, min. 3/8" thickness of putty forced into interstices of cables and between cables and cable tray within full depth of the stud cavity. After installation of the Fire Bricks, min. 3/8" additional putty applied between the interstices of cables, between cables and cable tray, between the Fire Bricks and cables and between cable tray and Fire Brick on both surfaces of the wall assembly. At point of contact location between cable tray and wall, min. 3/8" thickness of putty applied at the cable tray/wall interface on both surfaces of the wall.

FIRE BRICK: For walls incorporating max. 3-1/2" steel studs, fire bricks installed with 5" dimension projecting through and centered in opening. For walls constructed of larger than 3-1/2" steel studs Fire Brick installed with long dimension passing through and centered in opening. For reinforced concrete and solid filled concrete block wall assemblies, blocks installed centered within depth of opening with the long dimension placed horizontally. For HOLLOW-CORE block walls, Fire Brick installed with long dimension passing through the opening from surface to surface. In floor applications, install flush to surface of floor. Fire Bricks to completely fill the opening.

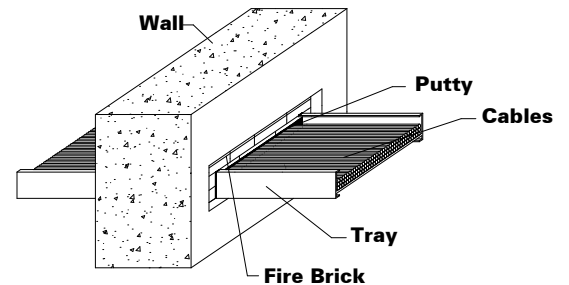
NELSON AA0834 FIRE BRICK



UL System No. W-L-4061 F Rating 1 or 2 Hr. T Rating 3/4 Hr.



UL System No. W-J-4058 F Rating 2 Hr. T Rating 3/4 Hr.



UL System No. C-AJ-4086 F Rating 2 Hr. T Rating 3/4 Hr.

